

Monochrome image sensor heads for FAX

IA2008-MB90A

MB series is a monochrome image sensor head which employs our in house developed optical system. It corresponds to wide range of logic voltage (3.3 to 5V), and can be drive directly from different types of ASIC (MB90 series).

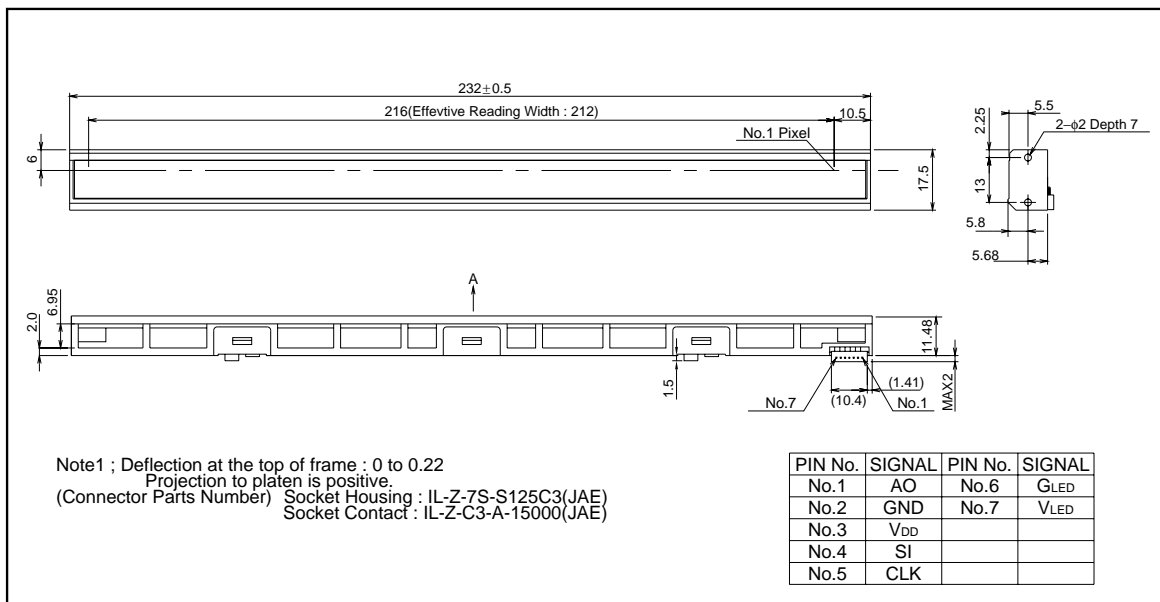
●Applications

Facsimiles, scanners, and a variety of other image input devices.

●Features

- 1) Signal amplifier is built into the image sensor IC in order to increase immunity to external noise.
- 2) The LED light source is mounted on the same substrate as the sensor chip which allows packaging of the device with lighter weight and smaller size.
- 3) Employing low voltage driving sensor enables 3.3V drive (3.3V to 5V for MB90 Series) which is identical to the ASIC.
- 4) The ceramic substrate is used for excellent dimensional accuracy and thermal stability.
- 5) With the proprietary prism, the output signal is maintained uniformly.

●Dimensions (Unit : mm)



Contact image sensor heads

●Characteristics

Parameter	Symbol	Typ.	Unit
Effective scanning width	–	212	mm
Primary scan dot density	–	203	dpi
Total dot number	–	1728	dots
Power supply voltage	V _{DD}	3.3 to 5/24	V
Scanning speed	SLT	5	ms / line
Clock frequency	CLK	0.5	MHz
Maximum dynamic range	VRMax.	1.6	V
Minimum dynamic range	VRMin.	0.8	V
Dark output	VodMax.	0.62	V
Operating temperature	–	5 to 45	°C

●Pin assignments

No.	Circuit	I / O	Functions
1	Ao	O	Analog output
2	GND	I	Ground
3	V _{DD}	I	Power supply
4	SI	I	Serial-in
5	CLK	I	Clock
6	R-GND	I	LED ground
7	G-GND	I	LED power supply

Contact image sensor heads

●Timing chart

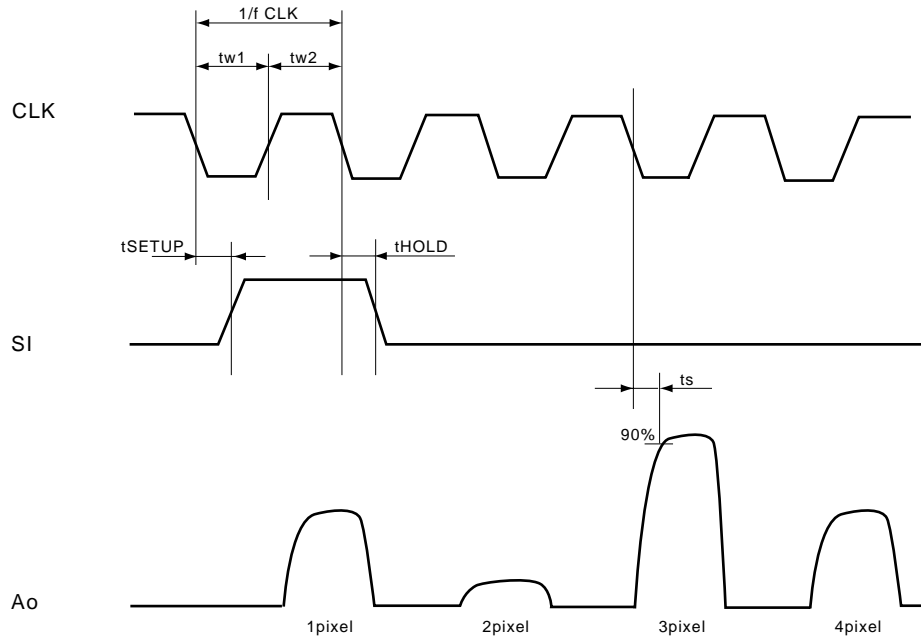


Fig.1

●Circuit diagram

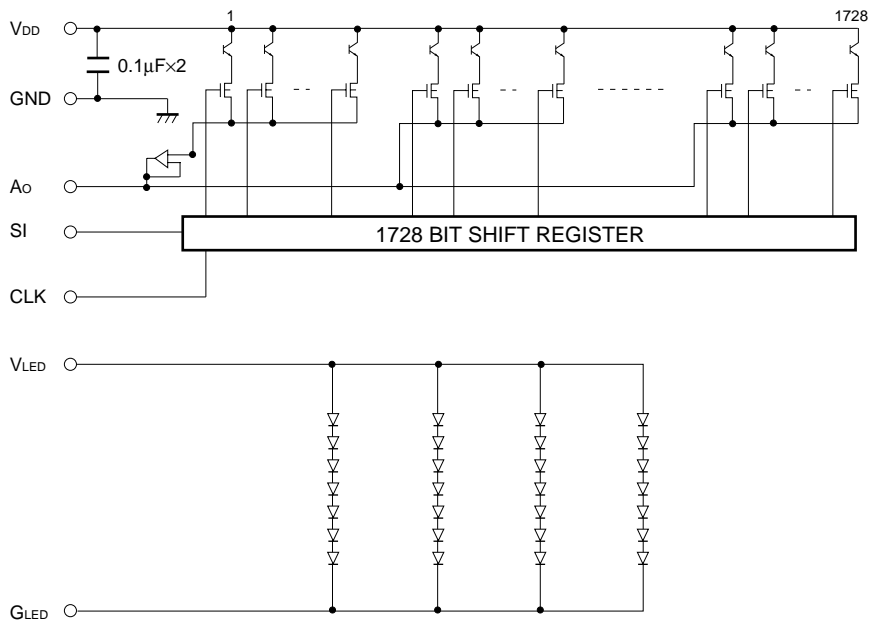


Fig.2

Notes

- No technical content pages of this document may be reproduced in any form or transmitted by any means without prior permission of ROHM CO.,LTD.
- The contents described herein are subject to change without notice. The specifications for the product described in this document are for reference only. Upon actual use, therefore, please request that specifications to be separately delivered.
- Application circuit diagrams and circuit constants contained herein are shown as examples of standard use and operation. Please pay careful attention to the peripheral conditions when designing circuits and deciding upon circuit constants in the set.
- Any data, including, but not limited to application circuit diagrams information, described herein are intended only as illustrations of such devices and not as the specifications for such devices. ROHM CO.,LTD. disclaims any warranty that any use of such devices shall be free from infringement of any third party's intellectual property rights or other proprietary rights, and further, assumes no liability of whatsoever nature in the event of any such infringement, or arising from or connected with or related to the use of such devices.
- Upon the sale of any such devices, other than for buyer's right to use such devices itself, resell or otherwise dispose of the same, no express or implied right or license to practice or commercially exploit any intellectual property rights or other proprietary rights owned or controlled by
- ROHM CO., LTD. is granted to any such buyer.
- Products listed in this document are no antiradiation design.

The products listed in this document are designed to be used with ordinary electronic equipment or devices (such as audio visual equipment, office-automation equipment, communications devices, electrical appliances and electronic toys).

Should you intend to use these products with equipment or devices which require an extremely high level of reliability and the malfunction of which would directly endanger human life (such as medical instruments, transportation equipment, aerospace machinery, nuclear-reactor controllers, fuel controllers and other safety devices), please be sure to consult with our sales representative in advance.

About Export Control Order in Japan

Products described herein are the objects of controlled goods in Annex 1 (Item 16) of Export Trade Control Order in Japan.

In case of export from Japan, please confirm if it applies to "objective" criteria or an "informed" (by MITI clause) on the basis of "catch all controls for Non-Proliferation of Weapons of Mass Destruction.